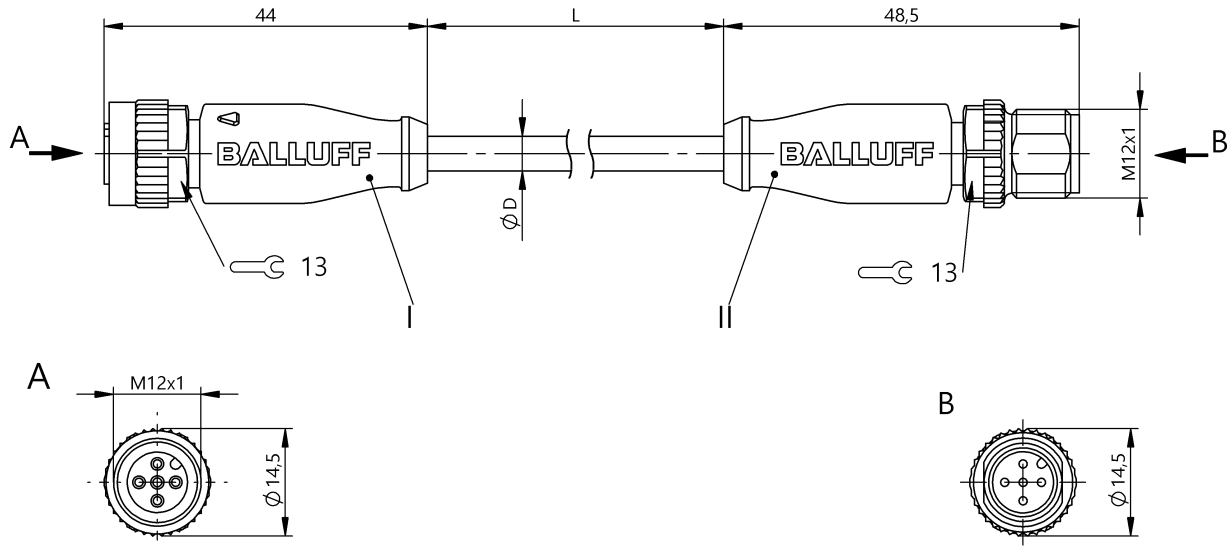


Double-Ended Cordsets  
**BCC M415-M415-3A-312-PY3534-100**  
**Order Code: BCC0M95**

**BALLUFF**



**Basic features**

<b>Application</b>	Welding area
<b>Approval/Conformity</b>	CE cULus WEEE

**Electrical connection**

<b>Bending radius min., fixed cable</b>	5 x D
<b>Bending radius min., flexible cable</b>	10 x D
<b>Cable</b>	PUR welding spark resistant Orange, 10 m, drag chain compatible
<b>Cable diameter D</b>	5.30 mm ±0.20 mm
<b>Cable, bending cycles min.</b>	5 mil.
<b>Cable, torsion stress</b>	±360°/m
<b>Conductor cross-section</b>	0.34 mm <sup>2</sup>
<b>Connection 1</b>	M12x1-Female, straight, 5-pin, A-coded
<b>Connection 2</b>	M12x1-Male, straight, 5-pin, A-coded
<b>Number of conductors</b>	5
<b>System</b>	Molded/Molded

**Electrical data**

<b>Operating voltage Ub</b>	60 VDC / 60 VAC
<b>Rated current (40 °C)</b>	4.0 A

**Environmental conditions**

<b>Cable temperature, drag chain</b>	-25...60 °C
<b>Cable temperature, fixed routing</b>	-40...80 °C
<b>Cable temperature, flexible routing</b>	-25...80 °C
<b>IP rating</b>	IP67, IP68, IP69K/IP67, IP68, IP69K

**Interface**

<b>Switching output</b>	Complementary
-------------------------	---------------

**Material**

<b>Cable jacket material, note</b>	welding spark resistant
<b>Cable jacket, material</b>	PUR
<b>Material contact carrier</b>	PUR/PUR
<b>Material contacts</b>	Bronze/Brass
<b>Material cover nut</b>	Die-cast zinc/Die-cast zinc
<b>Material grip</b>	PUR/PUR

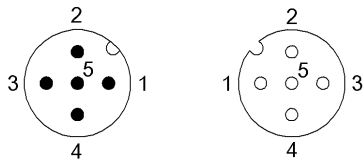
**Mechanical data**

<b>Acceleration max., drag chain</b>	5 m/s <sup>2</sup>
<b>Cable jacket, color</b>	Orange
<b>Cable length L</b>	10.00 m
<b>Cable properties</b>	drag chain compatible
<b>Horizontal travel permitted, drag chain</b>	5 m
<b>Tightening torque pigtail</b>	0.6 Nm/0.6 Nm
<b>Traverse speed max., drag chain</b>	200 m/min
<b>Vertical travel permitted, drag chain</b>	2 m

**Remarks**

Enclosure rating per IEC 60529 or 20653, only in screwed state with the associated mating piece.  
 Cable construction acc. to UL-AWM Style 20549  
 Halogen-free per DIN VDE 0472 Part 815  
 LABS-free  
 Flame resistance per UL FT2  
 Cable marking according to MgU-I-B09-41  
 Weld spark resistant according to MgU-I-B09-41

**Connector Drawings**



<p>II</p> <p>PIN 1: brown</p> <p>PIN 2: white</p> <p>PIN 3: blue</p> <p>PIN 4: black</p> <p>PIN 5: gray</p>	<p>I</p> <p>PIN 1: brown</p> <p>PIN 2: white</p> <p>PIN 3: blue</p> <p>PIN 4: black</p> <p>PIN 5: gray</p>
---	--

**Wiring Diagrams**

